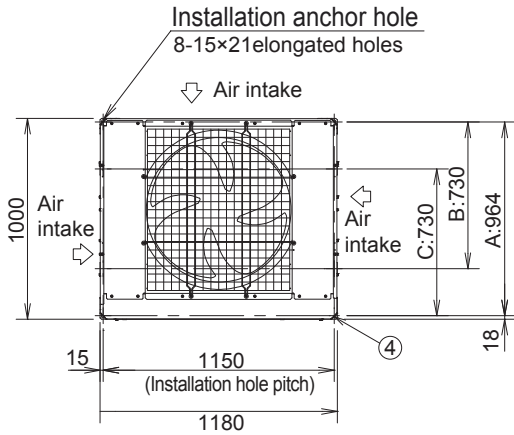


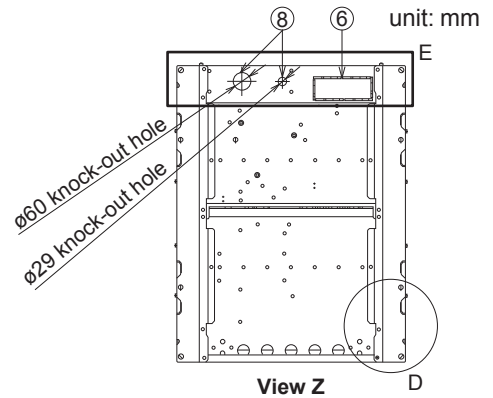
1. Outdoor Unit

1-2. Dimensional Data (continued)

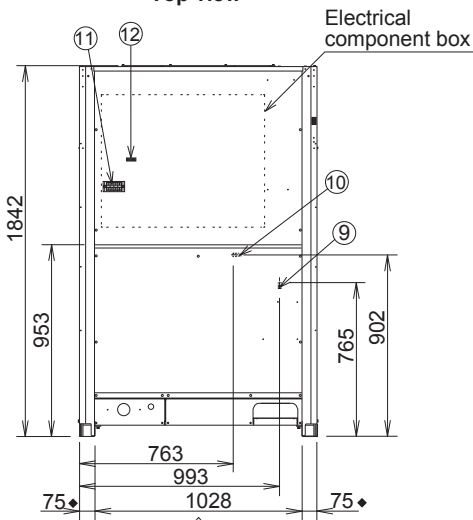
U-12ME2E8, U-14ME2E8, U-16ME2E8



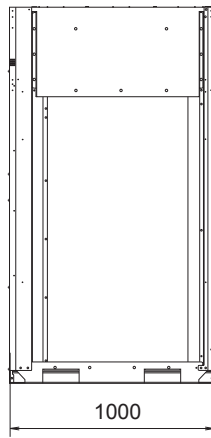
Top view



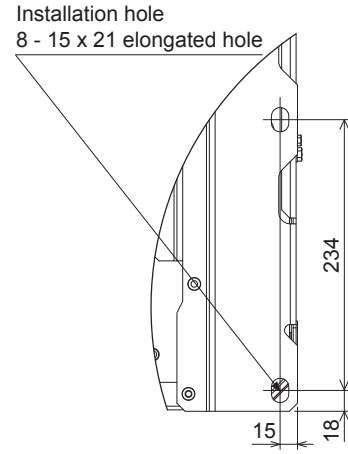
View Z



Front view

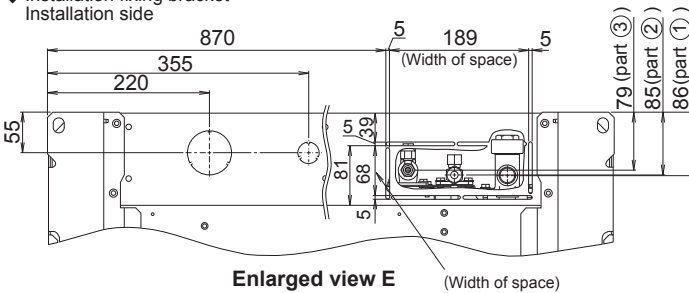


Side view



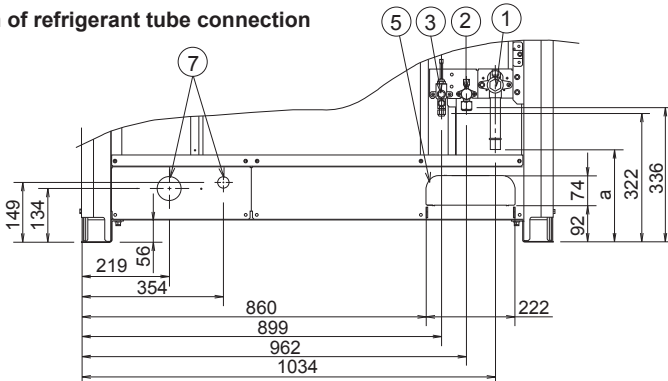
Enlarged view D

◆ Installation fixing bracket
Installation side



Enlarged view E

Position of refrigerant tube connection



Dimension of refrigerant tube connecting position

Types of unit	12HP	14HP	16HP
a	231	231	154

• 16hp unit dimensions shows a case using the connection tubing supplied with the unit.

According to the installation site, you may choose the setting position in the depth direction of the anchor bolt from "A", "B" or "C".
 A : 964 (Installation hole pitch) * The tubing is routed out from the front.
 B : 730 (Installation hole pitch) * The tubing is routed out from the bottom.
 C : 730 (Installation hole pitch)

Types of unit		12HP	14HP	16HP
①	Refrigerant tubing (gas tube)	brazed connection ø25.4	ø25.4	ø28.58
②	Refrigerant tubing (liquid tube)	flared connection ø12.7	ø12.7	ø12.7
③	Refrigerant tubing (balance tube)	flared connection ø6.35	ø6.35	ø6.35
④	Installation holes(8-15x21 elongated holes), anchor bolts M12 or larger			
⑤	Refrigerant tubing port (front: knock-out hole)			
⑥	Refrigerant tubing port (bottom: slit hole)			
⑦	Electrical wiring port (front: ø60, ø29 knock-out hole - for conduit connection)			
⑧	Electrical wiring port (bottom: ø60, ø29 knock-out hole - for conduit connection)			
⑨	Pressure outlet port (for high pressure: ø7.94 Schrader-type connection)			
⑩	Pressure outlet port (for low pressure: ø7.94 Schrader-type connection)			
⑪	Terminal plate			
⑫	Terminal plate for inter-unit control wiring and/or inter-outdoor unit control wiring			