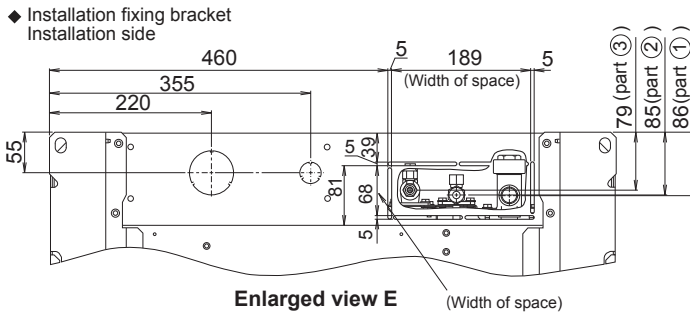
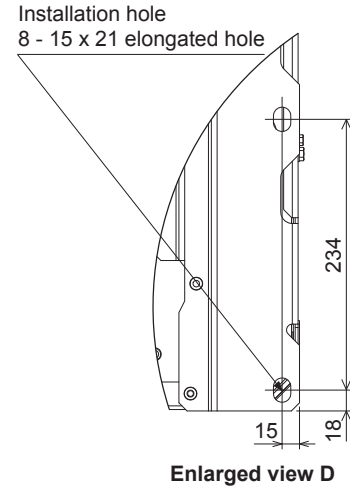
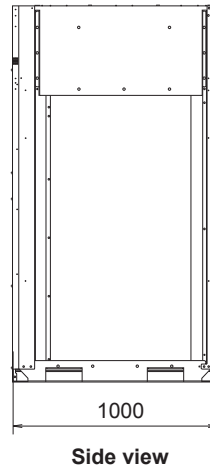
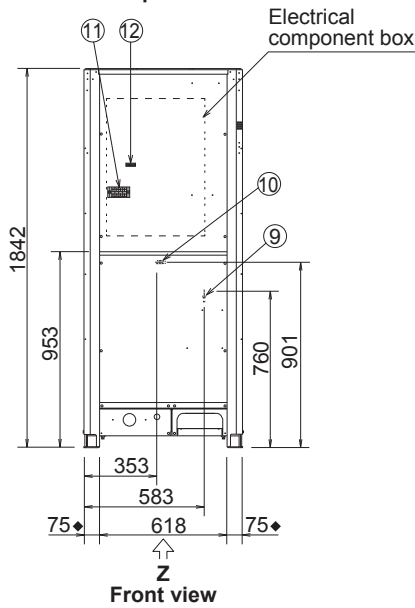
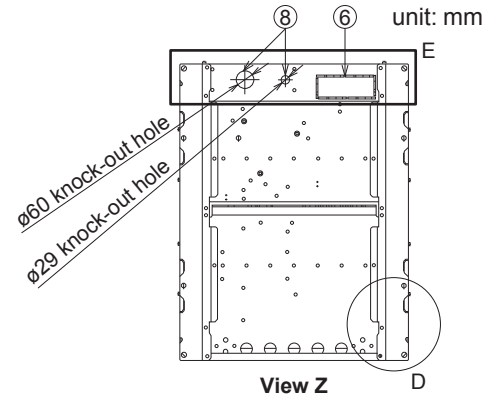
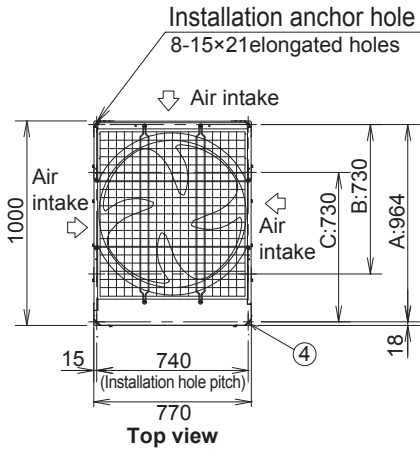
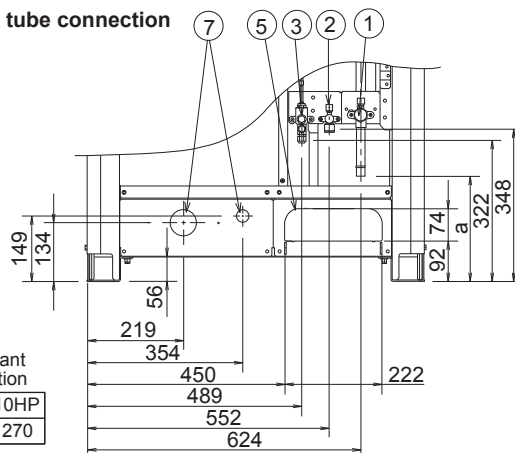


1. Outdoor Unit

1-2. Dimensional Data U-8ME2E8, U-10ME2E8



Position of refrigerant tube connection



According to the installation site, you may choose the setting position in the depth direction of the anchor bolt from "A", "B" or "C".
 A : 964 (Installation hole pitch) * The tubing is routed out from the front.
 B : 730 (Installation hole pitch) * The tubing is routed out from the bottom.
 C : 730 (Installation hole pitch)

Types of unit		8HP	10HP
①	Refrigerant tubing (gas tube) brazed connection	ø19.05	ø22.22
②	Refrigerant tubing (liquid tube) flared connection	ø9.52	ø9.52
③	Refrigerant tubing (balance tube) flared connection	ø6.35	ø6.35
④	Installation holes(8-15x21 elongated holes), anchor bolts M12 or larger		
⑤	Refrigerant tubing port (front: knock-out hole)		
⑥	Refrigerant tubing port (bottom: slit hole)		
⑦	Electrical wiring port (front: ø60, ø29 knock-out hole - for conduit connection)		
⑧	Electrical wiring port (bottom: ø60, ø29 knock-out hole - for conduit connection)		
⑨	Pressure outlet port (for high pressure: ø7.94 Schrader-type connection)		
⑩	Pressure outlet port (for low pressure: ø7.94 Schrader-type connection)		
⑪	Terminal plate		
⑫	Terminal plate for inter-unit control wiring and/or inter-outdoor unit control wiring		