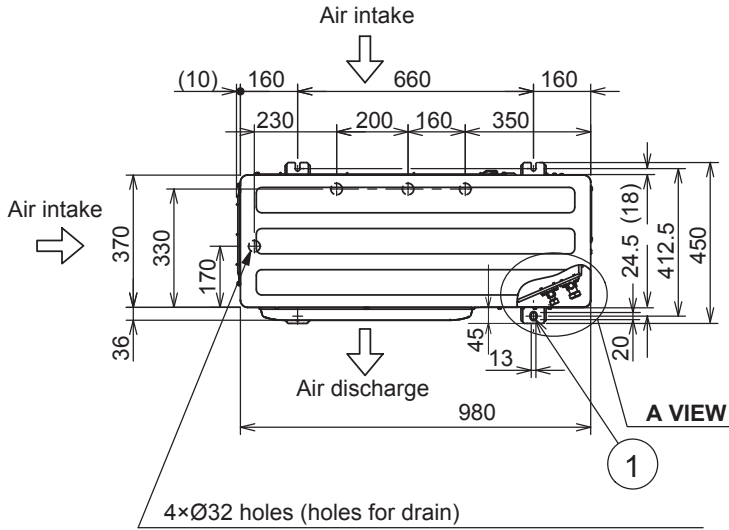


# 1. Outdoor Unit

## 1-2. Dimensional Data

U-4LZ2E5, U-5LZ2E5, U-6LZ2E5  
 U-4LZ2E8, U-5LZ2E8, U-6LZ2E8

Unit: mm



|   |   |
|---|---|
| ① | Mounting hole (4-R6.5), anchor bolt : M10                   |
| ② | Refrigerant tubing (liquid tube), flared connection (Ø9.52) |
| ③ | Refrigerant tubing (gas tube), flared connection (Ø15.88)   |
| ④ | Refrigerant tubing port                                     |
| ⑤ | Electrical wiring port (Ø13)                                |
| ⑥ | Electrical wiring port (Ø22)                                |
| ⑦ | Electrical wiring port (Ø27)                                |
| ⑧ | Electrical wiring port (Ø35)                                |

When using a drain pipe, install the drain socket (field supply) on to the drain port. Seal the other drain port with the rubber cap.

