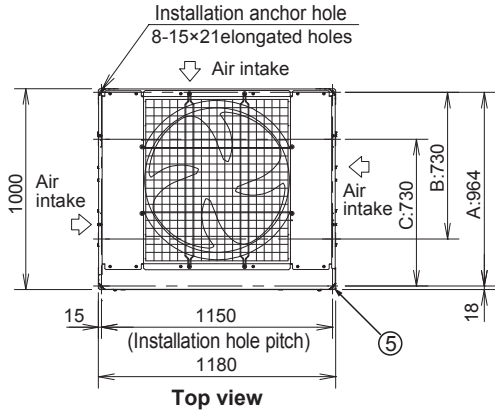


# 1. Outdoor Unit

## 1-2. Dimensional Data

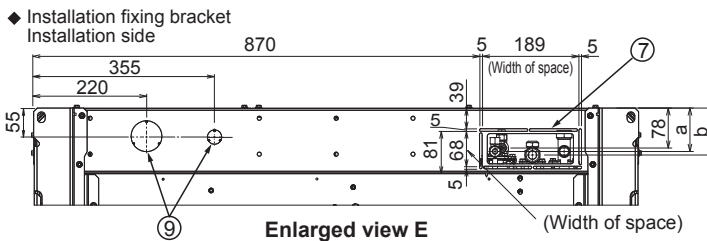
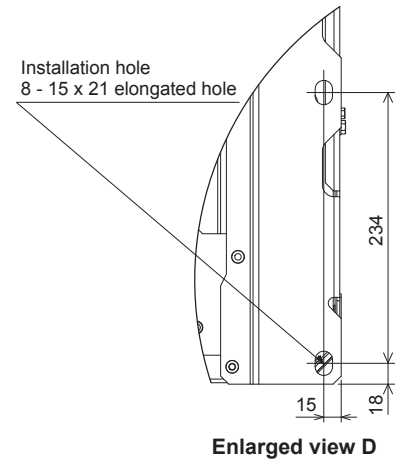
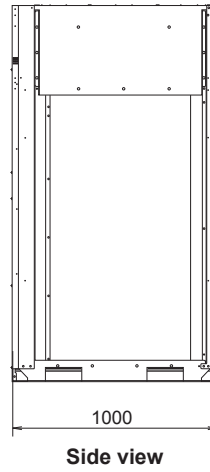
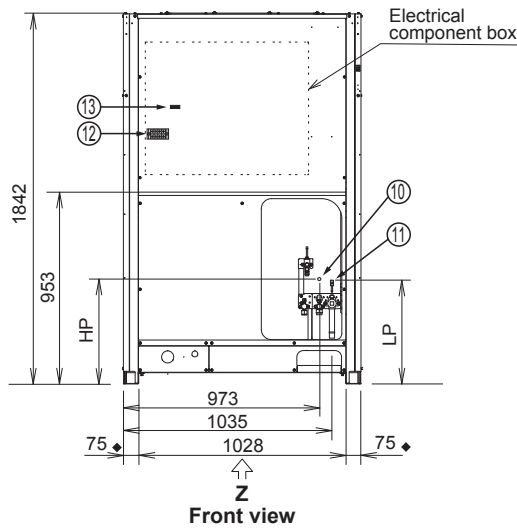
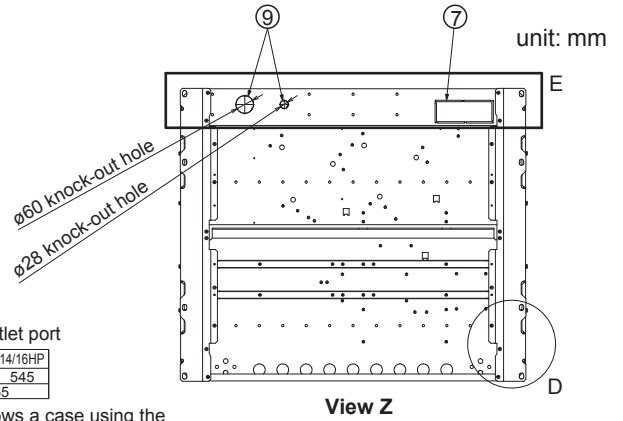
U-8MF3E8, U-10MF3E8, U-12MF3E8, U-14MF3E8, U-16MF3E8



Dimension of Pressure outlet port

Types of unit	8HP	10HP	12HP	14/16HP
HP	496	545		
LP	493	479	465	

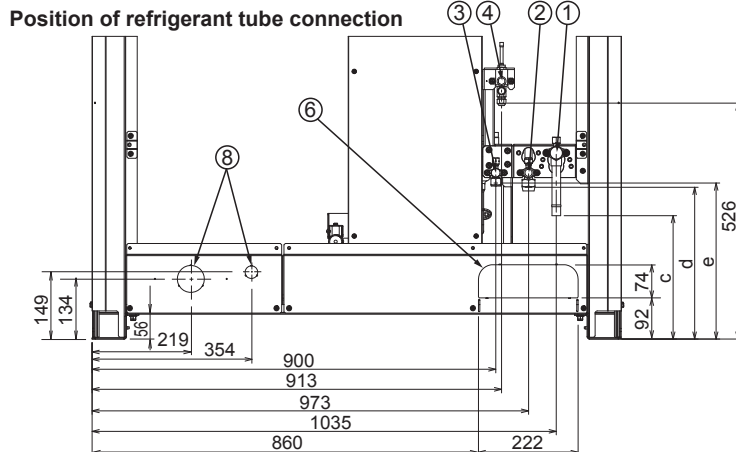
• 8HP unit dimensions shows a case using the connection tubing supplied with the unit.



Dimension of refrigerant tubing port

Types of unit	8HP	10HP	12HP	14/16HP
a	85	86	84	85
b	92	92	90	90

• 8HP unit dimensions shows a case using the connection tubing supplied with the unit.



Dimension of refrigerant tube connecting position

Types of unit	8HP	10HP	12HP	14/16HP
c	275	248	216	216
d	338	338	336	275
e	348	348	339	336

• 8HP unit dimensions shows a case using the connection tubing supplied with the unit.

According to the installation site, you may choose the setting position in the depth direction of the anchor bolt from "A", "B" or "C".  
 A : 964 (Installation hole pitch) \* The tubing is routed out from the front.  
 B : 730 (Installation hole pitch) \* The tubing is routed out from the bottom.  
 C : 730 (Installation hole pitch)

	Types of unit	8HP	10HP	12HP	14HP	16HP
①	Refrigerant tubing (suction tube)	brazed connection				
		ø19.05	ø22.22	ø25.4	ø25.4	ø28.58
②	Refrigerant tubing (discharge tube)	flared connection		brazed connection		
		ø15.88	ø19.05	ø19.05	ø22.22	ø22.22
③	Refrigerant tubing (liquid tube)	flared connection				
④	Refrigerant tubing (balance tube)	flared connection				
		ø6.35				
⑤	Installation holes(8-15x21 elongated holes), anchor bolts M12 or larger					
⑥	Refrigerant tubing port (front: knock-out hole)					
⑦	Refrigerant tubing port (bottom: slit hole)					
⑧	Electrical wiring port (front: ø60, ø28 knock-out hole - for conduit connection)					
⑨	Electrical wiring port (bottom: ø60, ø28 knock-out hole - for conduit connection)					
⑩	Pressure outlet port (for high pressure: ø7.94 Schrader-type connection)					
⑪	Pressure outlet port (for low pressure: ø7.94 Schrader-type connection)					
⑫	Terminal board for power supply					
⑬	Terminal board for inter-unit control wiring and/or inter-outdoor unit control wiring					