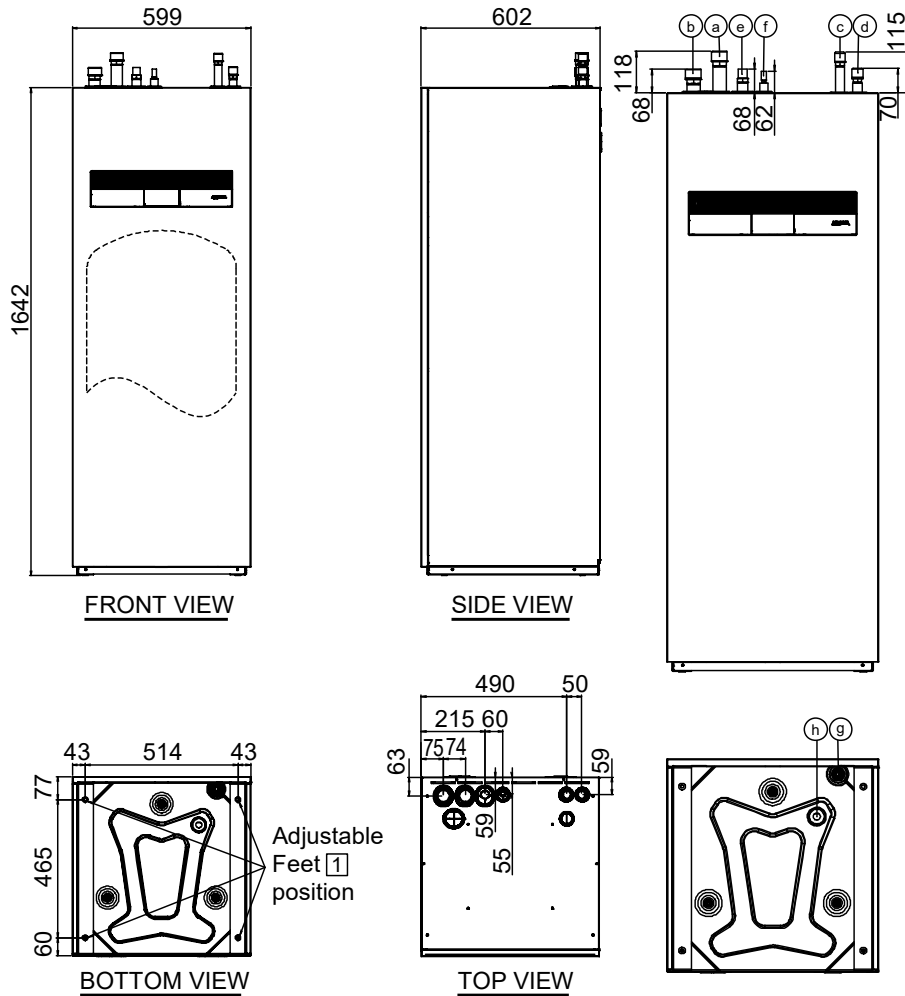


## 6. Dimensions

### 6.1 Indoor Unit

#### 6.1.1 WH-ADC0309K3E5 WH-ADC0309K6E5 WH-ADC0309K3E5UK

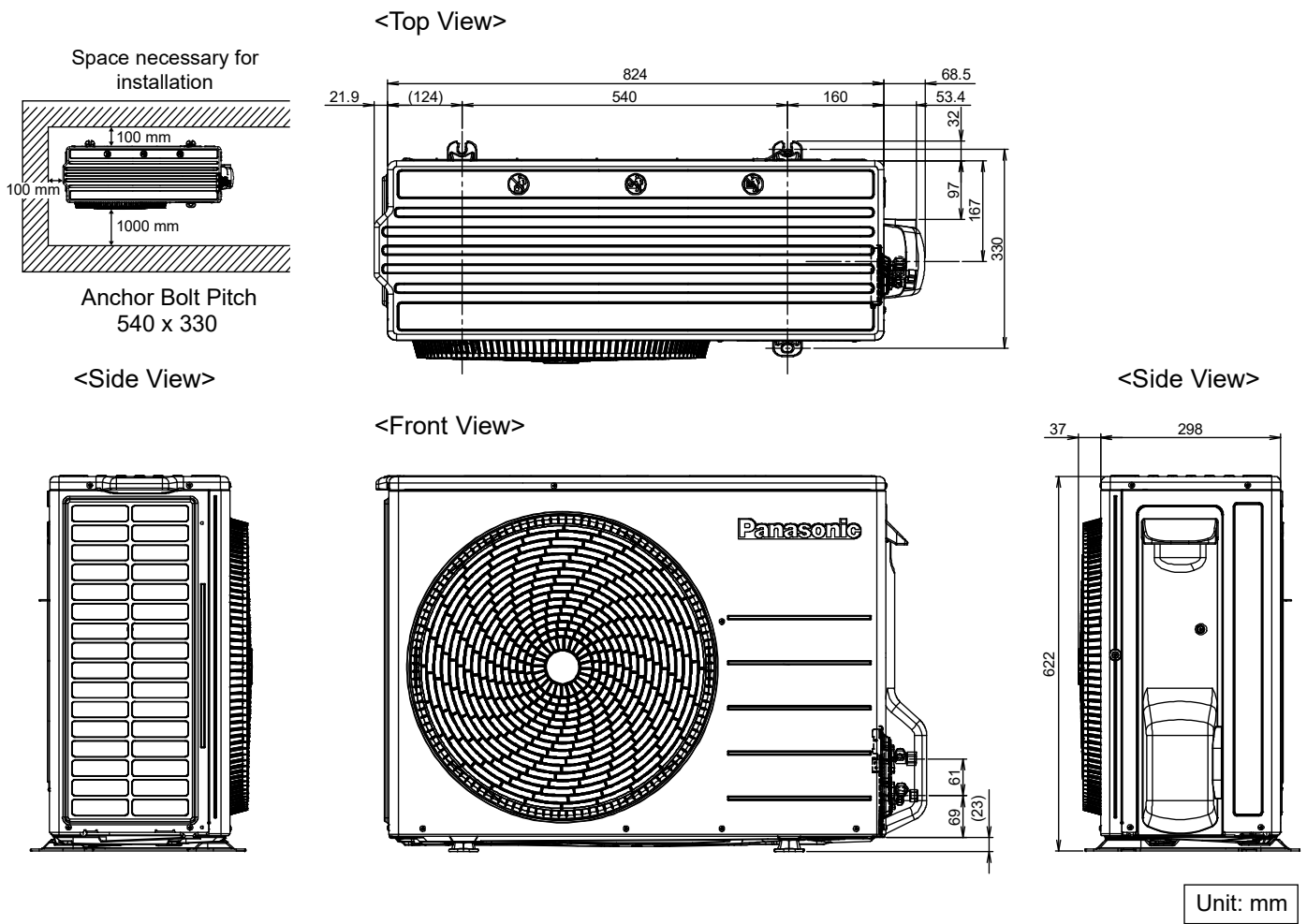


Tube Connector	Function	Connector Size
Ⓐ	Water Inlet (From Space Heating/Cooling)	R 1¼"
Ⓑ	Water Outlet (To Space Heating/Cooling)	R 1¼"
Ⓒ	Cold Water Inlet (Domestic Hot Water Tank)	R ¾"
Ⓓ	Hot Water Outlet (Domestic Hot Water Tank)	R ¾"
Ⓔ	Refrigerant Gas	7/8-14UNF
Ⓕ	Refrigerant Liquid	7/16-20UNF
Ⓖ	Domestic Hot Water Tank Discharge (Drain Tap) Type: Ball Valve	Rc 1/2"
Ⓗ	Drain Water Hole	---

Unit: mm

## 6.2 Outdoor Unit

### 6.2.1 WH-UDZ03KE5



6.2.2 WH-UDZ05KE5 WH-UDZ07KE5 WH-UDZ09KE5

