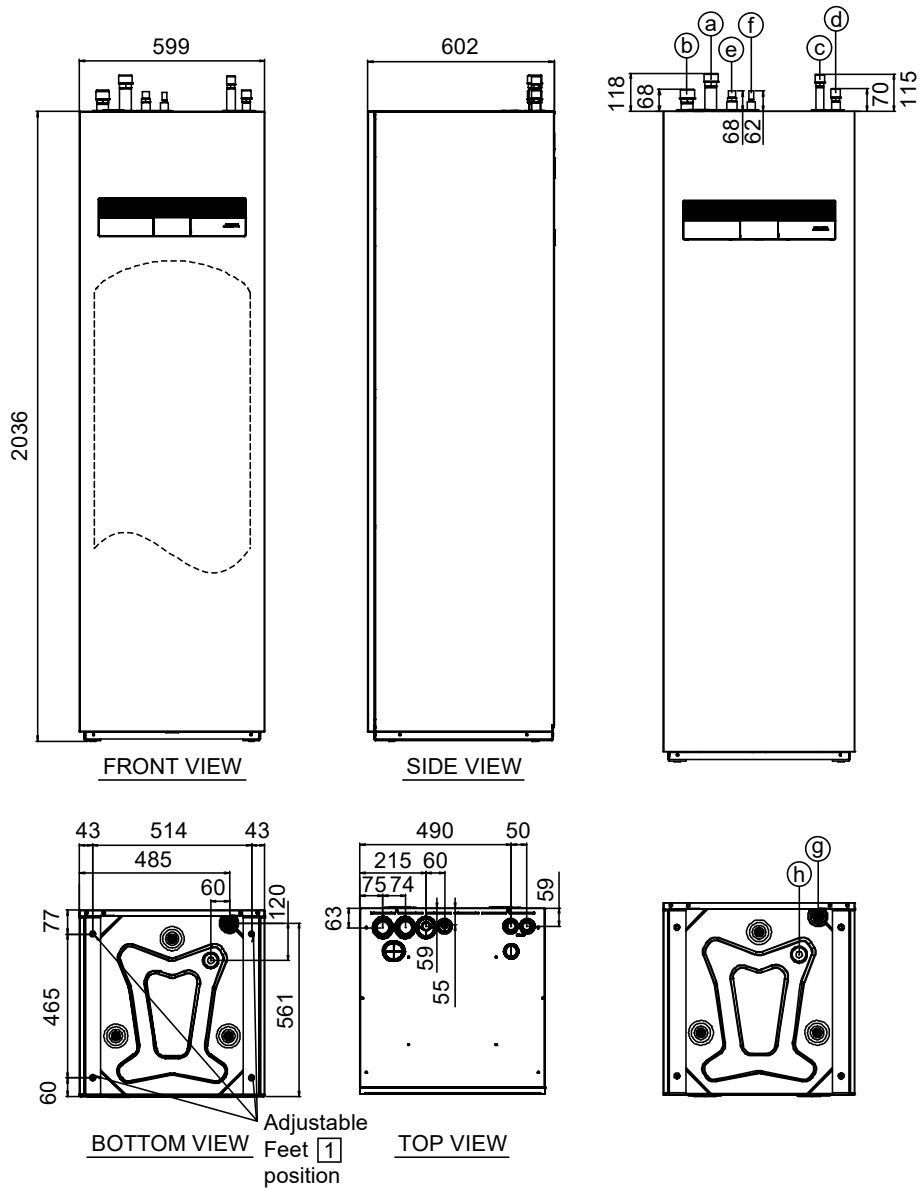


## 6. Dimensions

### 6.1 Indoor Unit

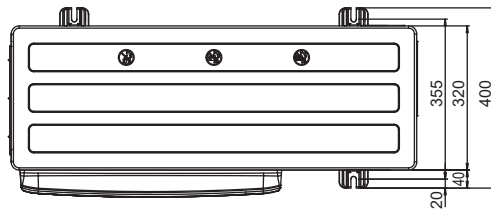


| Tube Connector | Function  | Connector Size |
|----------------|---|----------------|
| (a)            | Water Inlet (From Space Heating/Cooling)                          | R 1 1/4"       |
| (b)            | Water Outlet (To Space Heating/Cooling)                           | R 1 1/4"       |
| (c)            | Cold Water Inlet (Domestic Hot Water Tank)                        | R 3/4"         |
| (d)            | Hot Water Outlet (Domestic Hot Water Tank)                        | R 3/4"         |
| (e)            | Refrigerant Gas   | 3/4-16UNF      |
| (f)            | Refrigerant Liquid  | 7/16-20UNF     |
| (g)            | Domestic Hot Water Tank Discharge (Drain Tap)<br>Type: Ball Valve | Rc 1/2"        |
| (h)            | Drain Water Hole  | ---            |

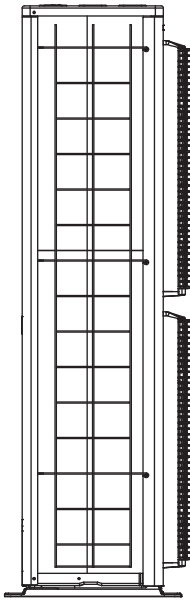
Unit: mm

## 6.2 Outdoor Unit

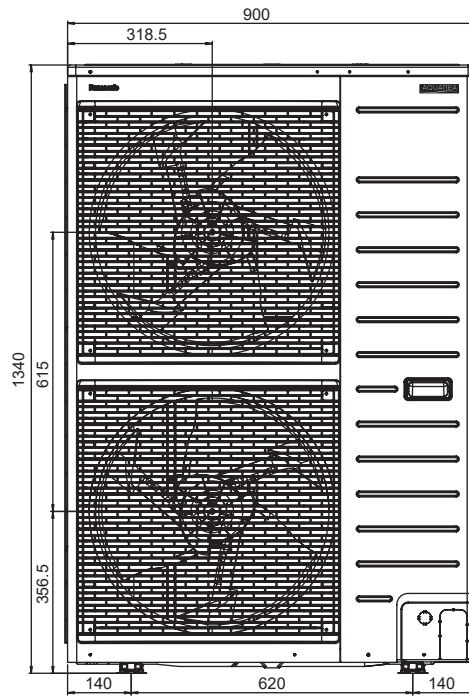
<Top View>



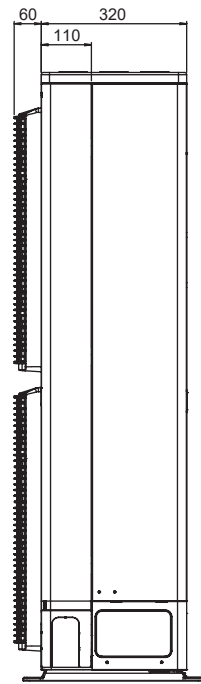
<Side view>



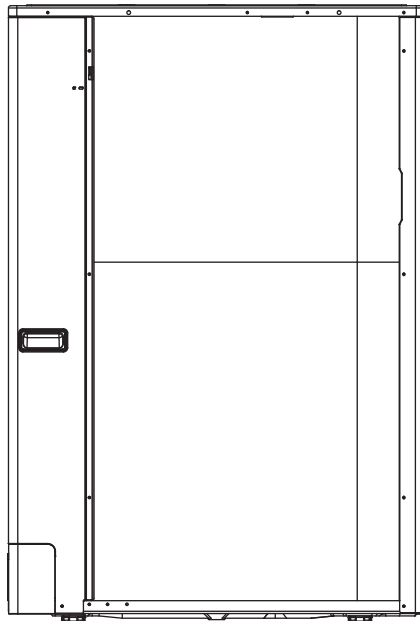
<Front View>



<Side View>



<Back view>



Unit: mm