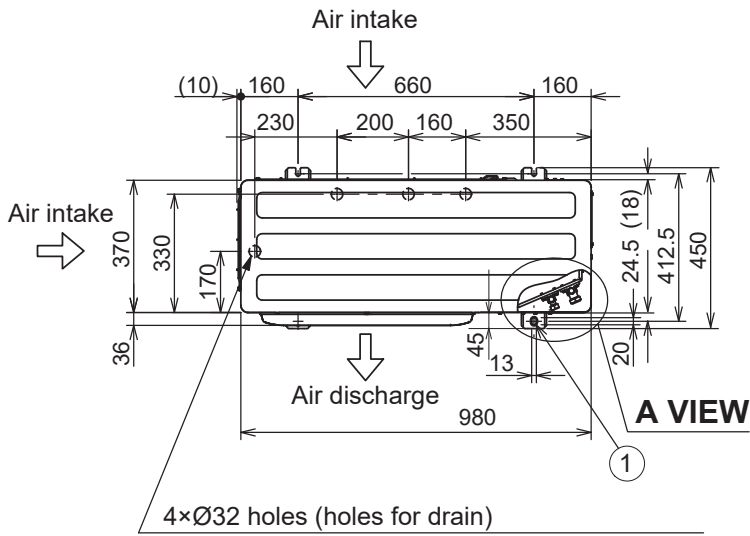


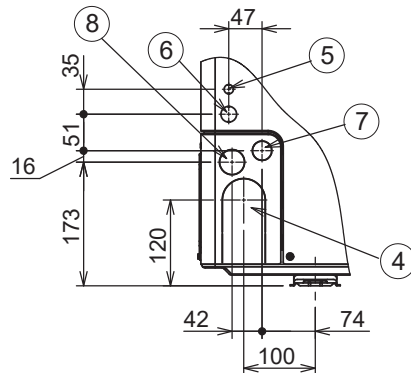
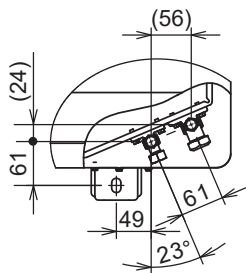
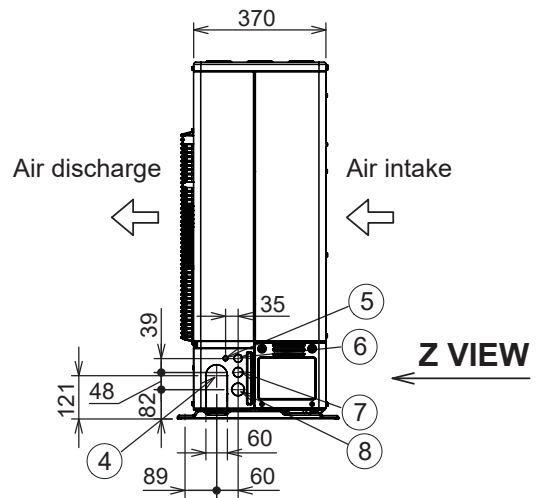
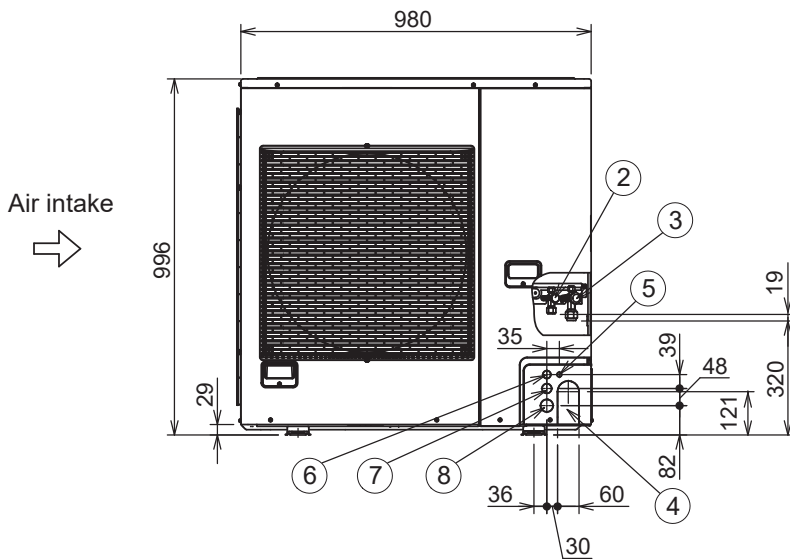
1-2-2-1. PZ3 U-100PZ3E5, U-125PZ3E5, U-140PZ3E5
 U-100PZ3E8, U-125PZ3E8, U-140PZ3E8

Unit: mm

①	Mounting hole (4-R6.5), anchor bolt : M10
②	Refrigerant tubing (liquid tube), flared connection (Ø9.52)
③	Refrigerant tubing (gas tube), flared connection (Ø15.88)
④	Refrigerant tubing port
⑤	Electrical wiring port (Ø13)
⑥	Electrical wiring port (Ø22)
⑦	Electrical wiring port (Ø27)
⑧	Electrical wiring port (Ø35)



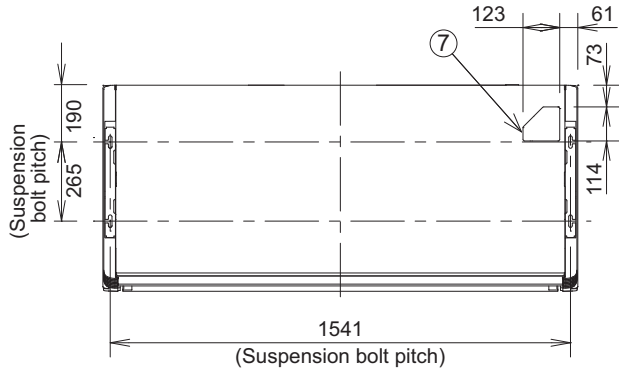
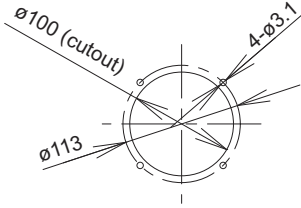
When using a drain pipe, install the drain socket (field supply) on to the drain hole. Seal the other drain hole with the rubber cap.



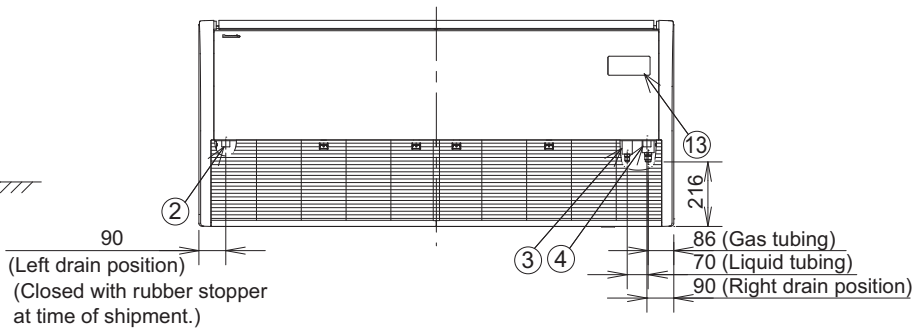
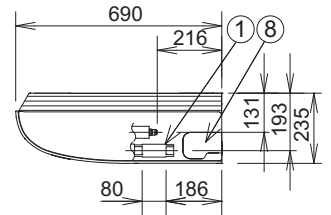
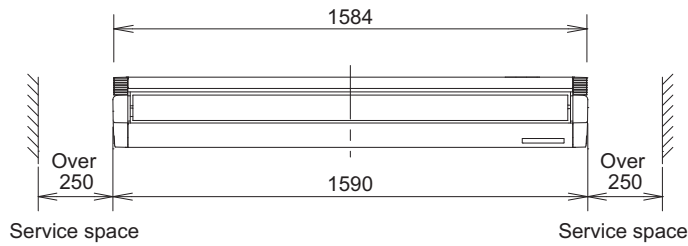
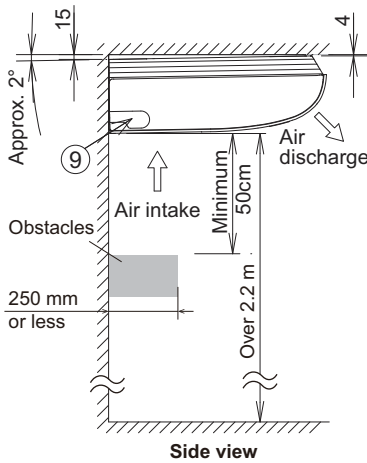
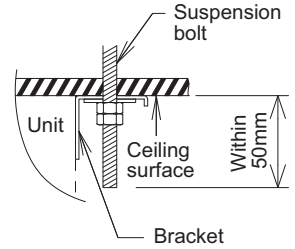
1-2-1-4. Ceiling Type S-1014PT3E

unit :mm

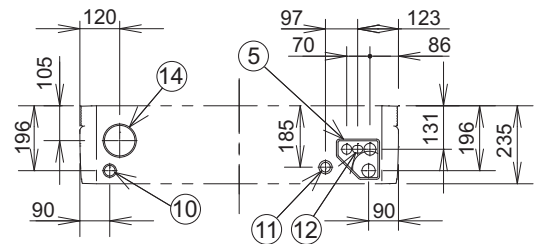
Detailed view of intaking outside air duct connection port



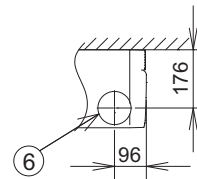
Distance of each exposed bolt must be of equal length within 50mm.



Hole position of indoor unit rear-side (Figure shows view from front)



Tubing hole position on wall surface (Figure shows view from front)



①	Drain port VP20 (inside diameter ϕ 26mm, drain hose supplied)
②	Left drain position
③	Refrigerant liquid tubing (ϕ 9.52mm, flare connection)
④	Refrigerant gas tubing (ϕ 15.88mm, flare connection)
⑤	Cover of rear tubing hole
⑥	Tubing hole on wall surface (ϕ 100mm)
⑦	Upper side tubing port
⑧	Right side drain hose outlet port (cutout)
⑨	Left side drain hose outlet port (cutout)
⑩	Left-rear side drain hose outlet port (cutout)
⑪	Power inlet port
⑫	Remote control wiring and inter-unit wiring inlet port
⑬	Wireless remote controller receiver installation location
⑭	Outside air intake duct connection port (ϕ 100mm, cutout)

<Filter dimension>

(736 × 250 × 16) × 2 pcs.