

1-4. Dimensional Data

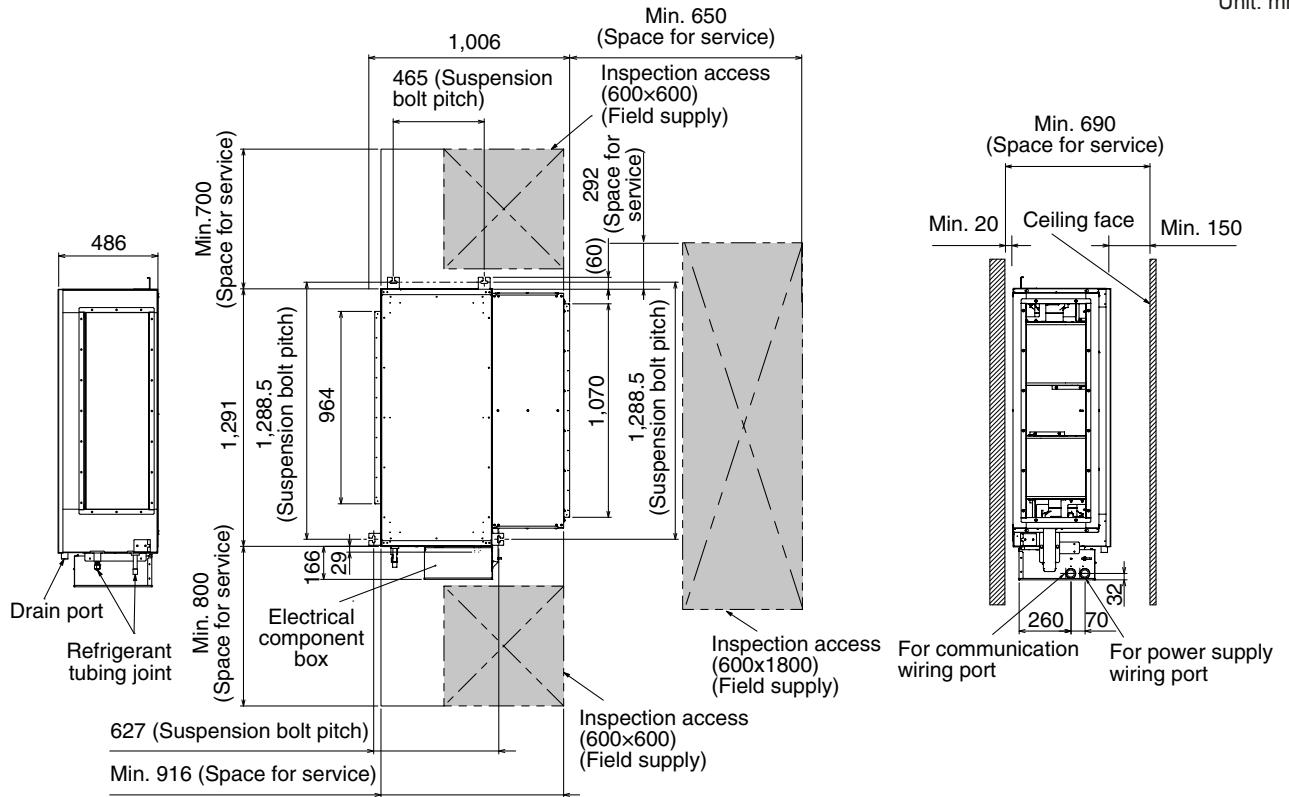
(A) Indoor Units

High Static Pressure Ducted Type
S-200PE4E, S-250PE4E

Required Minimum Space for Installation and Service

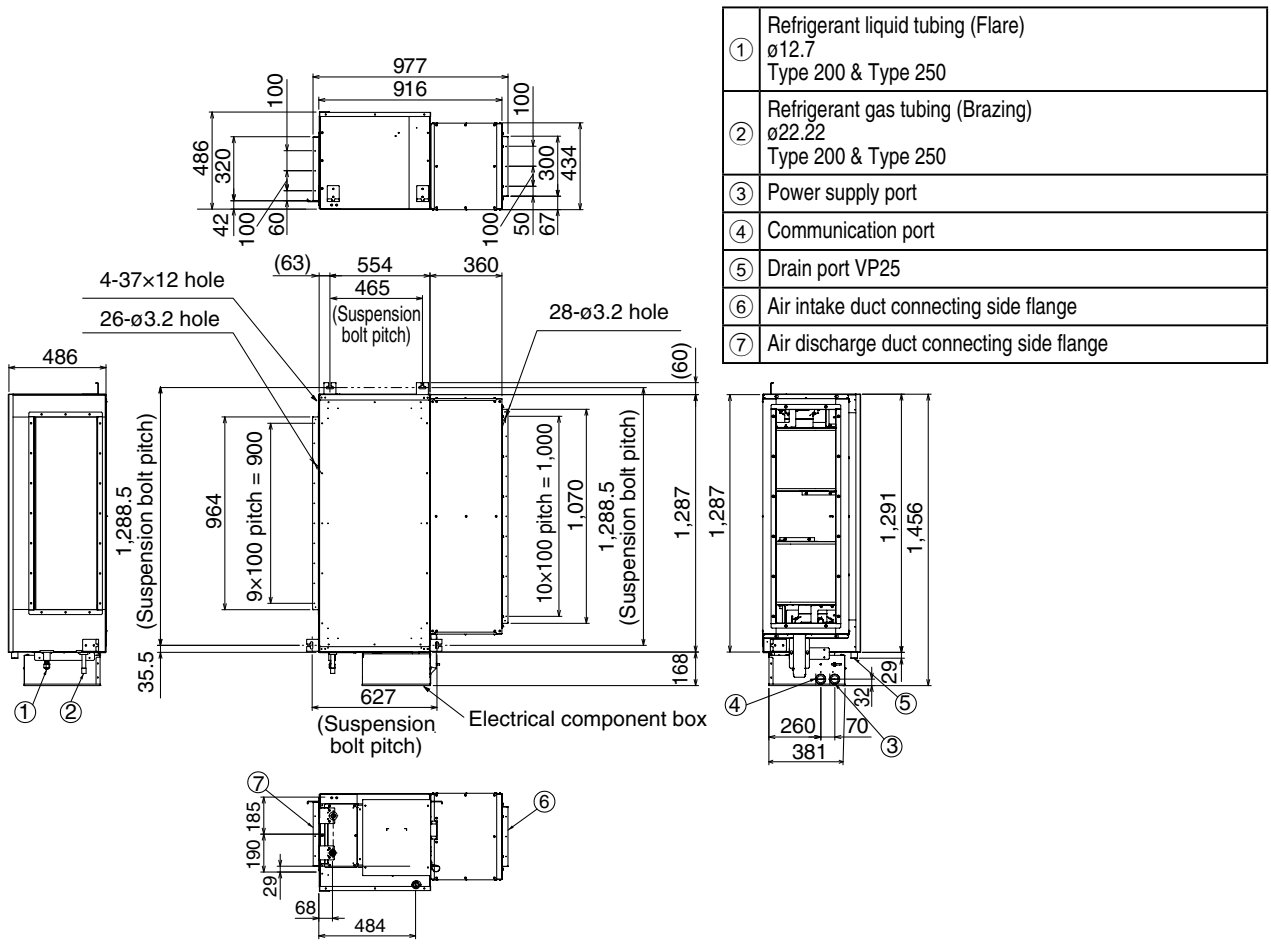
(1) Dimensions of suspension bolt pitch and unit

Unit: mm



(2) Dimensions of indoor unit

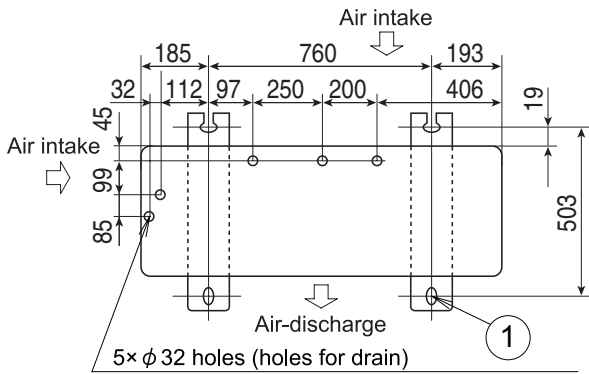
Unit: mm



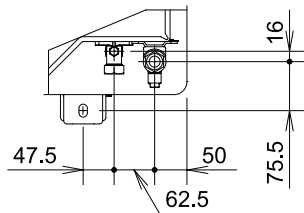
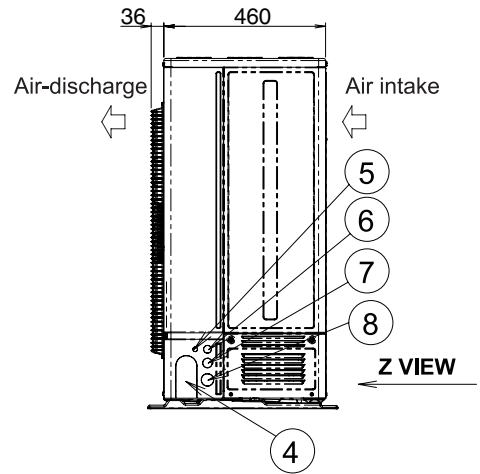
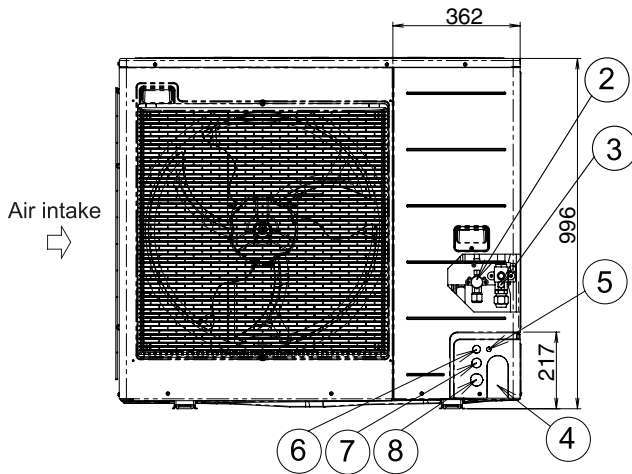
(B) Outdoor Units
U-200PZH4E8, U-250PZH4E8

Unit: mm

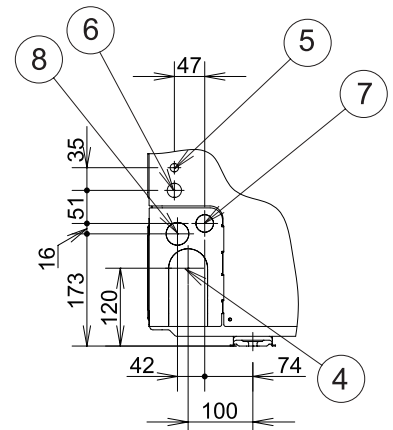
①	Mounting hole (4-R6.5), anchor bolt : M10
②	Refrigerant tubing (liquid tube), flared connection (ø12.7)
③	Refrigerant tubing (gas tube), flared connection (ø22.22)
④	Refrigerant tubing port
⑤	Electrical wiring port (ø13)
⑥	Electrical wiring port (ø22)
⑦	Electrical wiring port (ø27)
⑧	Electrical wiring port (ø35)



When using a drain pipe, install the drain socket (field supply) onto the drain port. Seal the other drain port with the rubber cap.



A VIEW



Z VIEW